

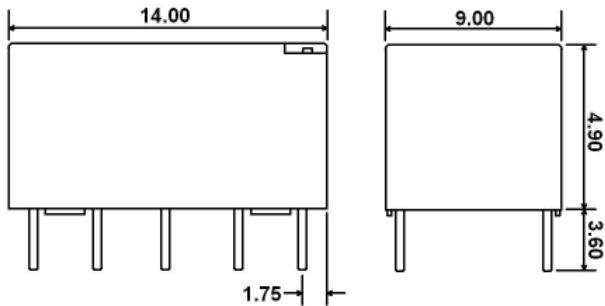
J850

Ordering Information

1. Series	J850	2c	S	6VDC
J850				
2. Contact Arrangement	2C = DPDT			
3. Sealing Option	S = Sealed			
4. Operating Function	Blank = Monostable			
5. Coil Voltage	3VDC 4.5VDC 5VDC 6VDC 9VDC 12VDC 24VDC			

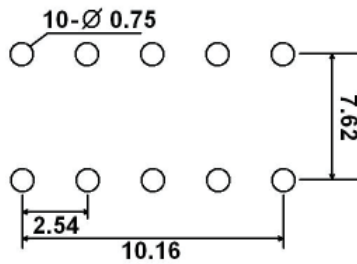
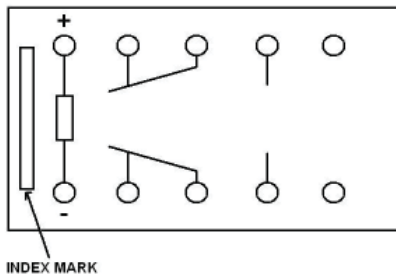
Dimensions

Units = mm



Schematics & PC Layouts

Bottom Views



Dimensions shown in mm. Dimensions are shown for reference purposes only.

Specifications and availability subject to change without notice.